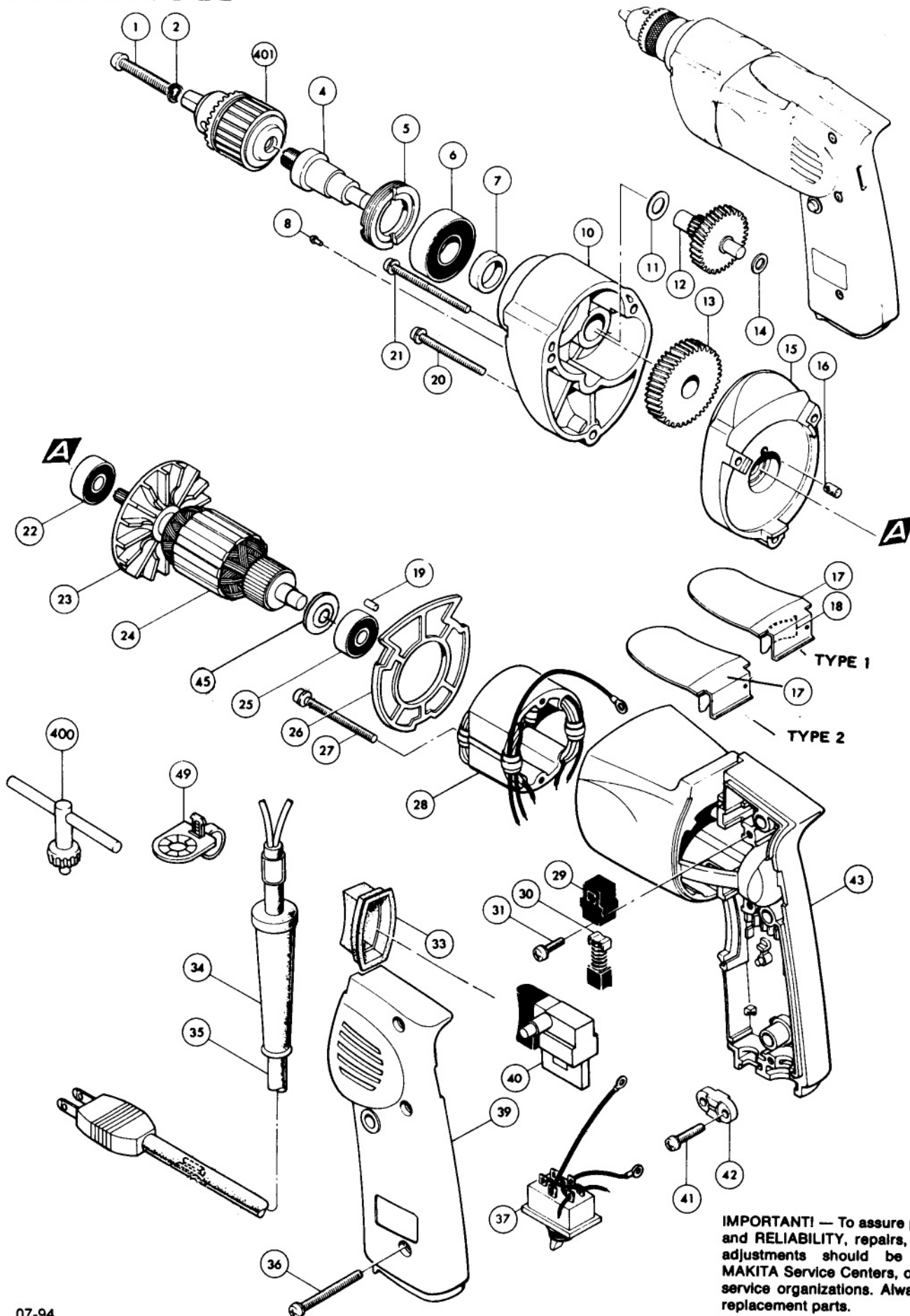


Makita**3/8" DRILL****MODEL 6510LVR**

IMPORTANT! — To assure product **SAFETY** and **RELIABILITY**, repairs, maintenance or adjustments should be performed by **MAKITA** Service Centers, or other qualified service organizations. Always use **MAKITA** replacement parts.

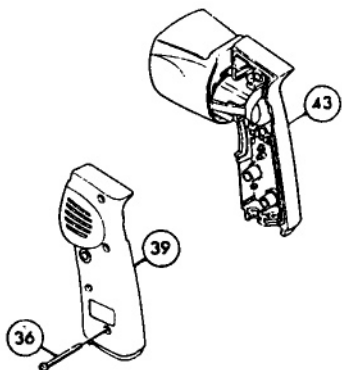
Fig.	Part No.	Qty. Used	Description	Fig.	Part No.	Qty. Used	Description
1	**	1	PAN HEAD SCREW	25	211028-5	1	BALL BEARING 627LB
2	**	1	SPRING WASHER 5	26	* * *	1	BAFFLE PLATE
4	**	1	SPINDLE	27	911175-9	2	SCREW M4x45
5	285804-3	1	BEARING RETAINER	28	* * *	1	FIELD ASS'Y
6	211201-7	1	BALL BEARING 6002LLB	29	643552-4	2	BRUSH HOLDER
7	257053-2	1	RING 15	30	643066-3	2	CARBON BRUSH (CB-66)
8	953106-2	2	RIVET	31	911124-6	2	PAN HEAD SCREW M4x14
10	156401-1	1	GEAR HOUSING (Incl. 214001-4 Plane Bearing)	33	*	1	DUST COVER
11	253139-0	1	FLAT WASHER 8	34	682502-4	1	CORD GUARD
12	226032-1	1	GEAR COMPLETE	35	664013-1	1	CORD WITH PLUG
13	221624-1	1	HELICAL GEAR	36	911153-9	*	PAN HEAD SCREW M4x28
14	253077-6	1	FLAT WASHER 6	37	531003-8	1	SWITCH, REVERSE
15	156402-9	1	GEAR HOUSING COVER (Incl. 214001-4 P. Bearing 8, 214004-8 P. Bearing 6)	39	*	1	HANDLE COVER COMPLETE
16	263002-9	1	RUBBER PIN 4	40	651313-8	1	SWITCH
17	342422-1	1	CARRY CLIP (Type 1)	41	911133-5	2	PAN HEAD SCREW M4x18
	****	1	CARRY CLIP (Type 2)	42	687001-1	1	STRAIN RELIEF
18	232034-7	1	LEAF SPRING (Type 1 only)	43	*	1	MOTOR HOUSING (Incl. Hex. Nut 931102-0)
19	263002-9	1	RUBBER PIN 4	45	681617-4	1	INSULATION WASHER
20	911168-6	1	PAN HEAD SCREW M4x40	49	411780-7	1	KEY HOLDER
21	911188-0	2	PAN HEAD SCREW M4x60	ACCESSORIES			
22	211033-2	1	BALL BEARING 608LB	400	**	1	CHUCK KEY
23	241802-7	1	FAN	401	**	1	DRILL CHUCK
24	611851-2	1	ARMATURE ASS'Y (Incl. 23)				

* See Service Change 1
 ** See Service Change 2
 *** See Service Change 3
 **** See Service Change 4

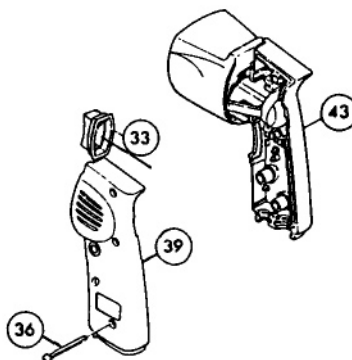
SERVICE CHANGE

1. Changes on Motor Housing and Handle Cover.

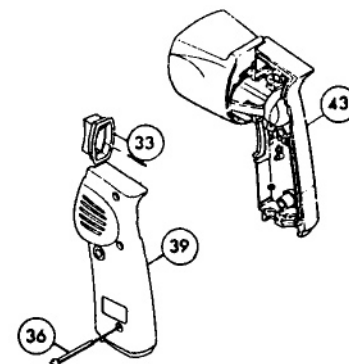
TYPE 1



TYPE 2



TYPE 3



The housings have grooves to hold dust cover & 4 screw holes.

The housing has groove to hold dust cover & 3 screw holes.

FIG.				TYPE 3
33				
36	Screw	Use 4 each.		Use 3 pieces
39	Handle Cover	Part #411216-6 (Discontinued)	Part #155216-3 (Discontinued)	Part #155300-4 *See Service Change 4
43	Motor Housing	Part #411215-8 (Discontinued)	Part #411411-8 (Discontinued)	Part #156491-4 *See Service Change 3

The above parts are interchangeable as a set.

2. Change on Drill Chuck and Spindle.

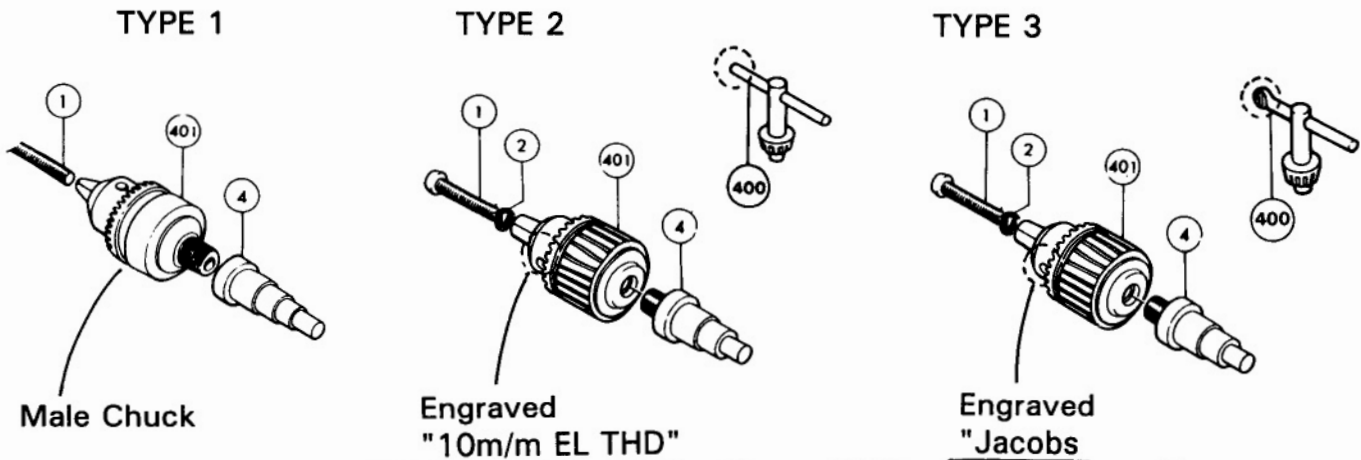


FIG.	DESCRIPTION	TYPE 1	TYPE 2	TYPE 3
1	Pan Head Screw	Part #251226-7 (M5x35) (Discontinued)		Part #266001-0 (M5x25)
2	Spring Washer	-----		Part #942101-7
4	Spindle	Part #323663-8 (Discontinued)		Part #323685-8
400	Chuck Key	Part #763414-1		Part #763424-8
401	Drill Chuck	Part #763045-6 (Discontinued)	Part #763074-9 (Discontinued)	Part #763090-1

The above parts are interchangeable as a set.

3. Change on Field from Serial No. 626,048E.

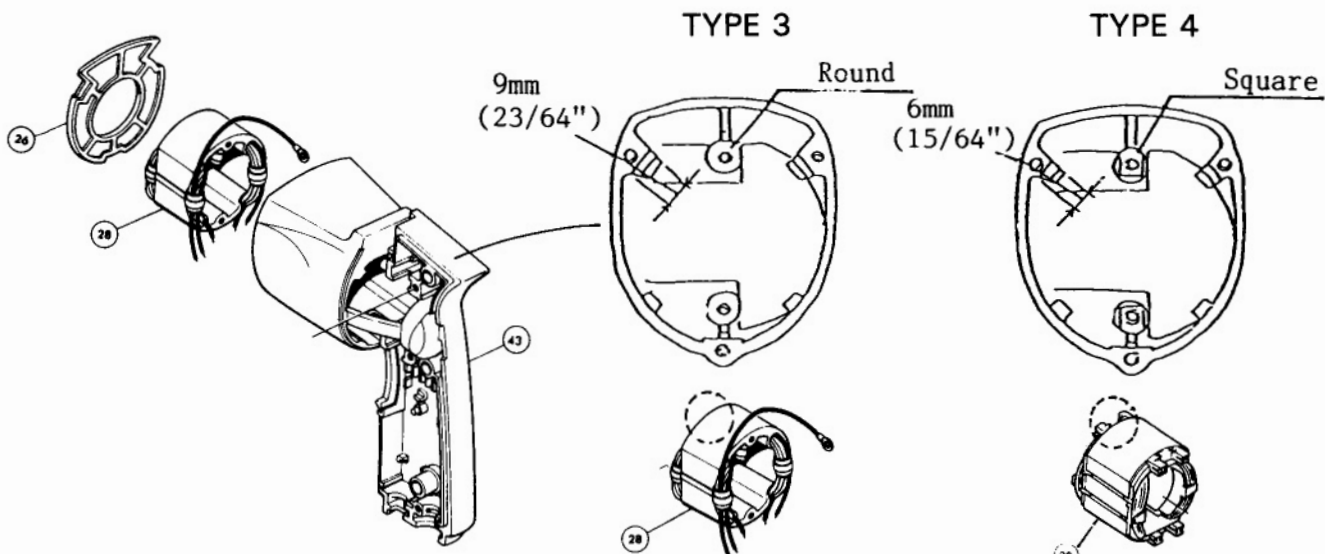


FIG.	DESCRIPTION	TYPE 3	TYPE 4
26	Baffle Plate	Part #411219-0	Part #414292-9
28	Field	Part #621232-2	Part #633081-5
43	Motor Housing	Part #156491-4	Part #159089-6

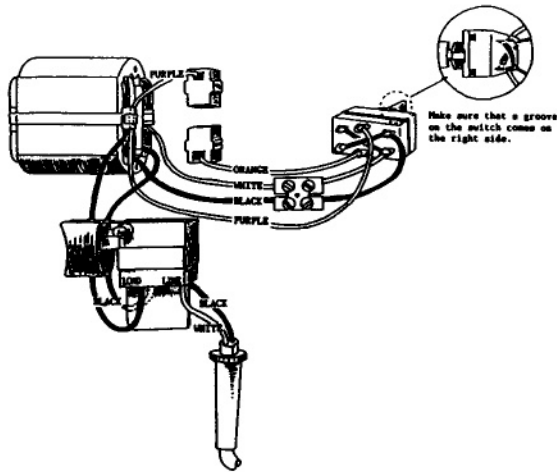
The above parts are completely interchangeable as a set.

Type 4 Motor Housing replaces Type 3 Motor Housing individually.

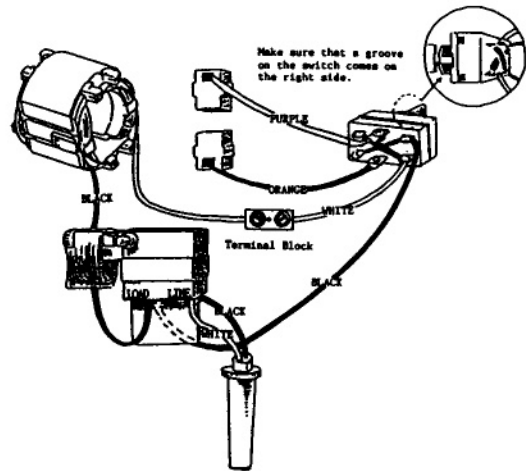
REPAIR NOTE

With Service Change 3, Wiring has been changed.

TYPE 3 (S/N up to 626, 047E)

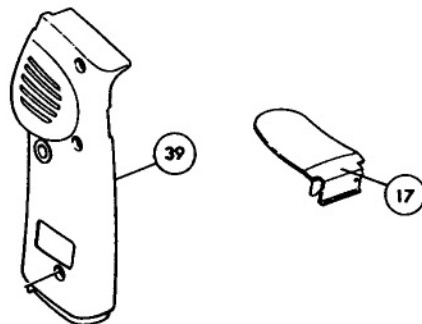


TYPE 4 (S/N 626, 48E and HIGHER)



4. Change on Handle Cover from S/N 1001E with production date of April, 1994.

TYPE 3



TYPE 4

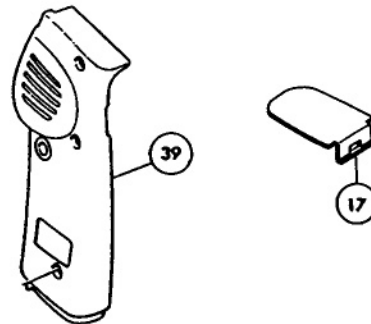


FIG.	DESCRIPTION	TYPE 3	TYPE 4
17	Carrying Clip	Part #343693-3	Part #343407-0
39	Handle Cover	Part #155300-4	Part #155300-4A

The above parts are interchangeable as a set.